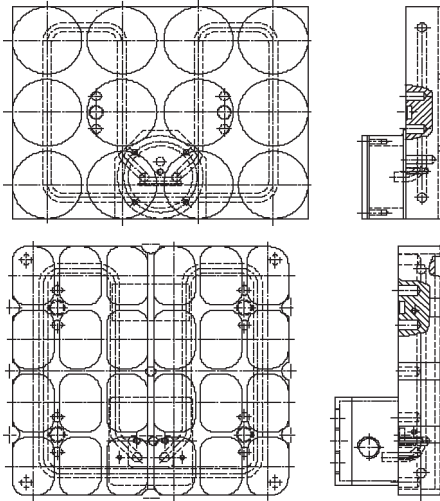


Aluminium Heating Plates



Cast-In Heaters

Description

Flat, rectangular heater, containing tubular elements precision cast into an Aluminium housing.

Features

- Controllable heat by resistance wire technology
- Tubular heating elements formed in accordance with customer and application requirements
- Uniform heat distribution
- Heat transfer mode: conduction

Design Characteristics

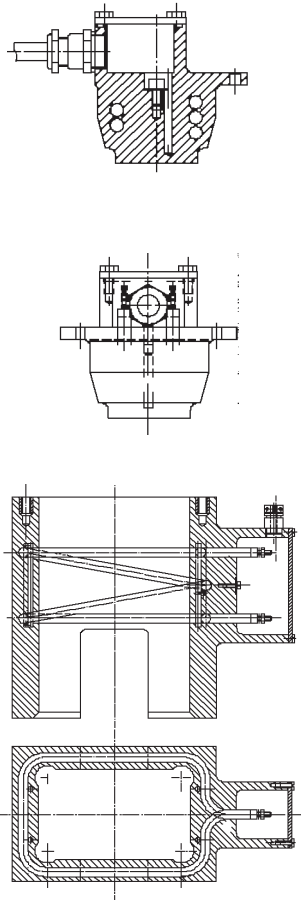
- Operating temperatures up to 300°C
- Dimensions and mating surfaces according to customer requirements
- Minimum thickness 25 mm
- Surface with non-stick coating, PTFE, chemical nickel, Niflor, anodized
- Self-contained heating unit with terminal box
- Sand casting free of inclusions and voids
- Casting material:
G-Al Si 9 Cu 3, G-Al Si 7 Mg, G- Al Si 5 Mg
- Operating voltage up to 500 V
- Power output variants - according to customer requirements
- Precision machined mating surfaces, outer edges milled
- Plate annealed
- Electrical terminations: protruding tube-end M4 terminal box already screwed on terminal box already casted on

Applications

- Packaging machines, deep-draw machines
- Foil and plate heating
- Hotplates
- Plastic moulding equipment
- Laminating equipment

DBK's knowledge of thermal management gives us the experience to guide and support you with your technical challenges - we can manage the complete project from concept to full production release.

Seal Heads



Cast-In Heaters

Description

Solid, Aluminium construction, with precision cast-in tubular heating element

Features

- Controllable heat by resistance wire technology
- Tubular heating elements formed in accordance with customer and application requirements
- Uniform heat distribution
- Heat transfer by conduction, convection or radiation

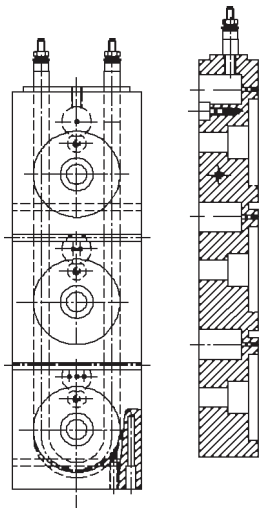
Design Characteristics

- Operating temperatures up to 350°C
- Dimensions and mating surfaces according to customer requirements
- Self-contained heating unit with terminal box
- Casting material:
G-Al Si 9 Cu 3, G-Al Si 7 Mg, G- Al Si 5 Mg
- Operating voltage up to 500 V
- Power output variants - according to customer requirements
- Electrical terminations: protruding tube-end M4 terminal box already casted on

Applications

- Heating cabinets
- Plastic moulding equipment
- Sealing machines and equipment
- Welder terminals

Pre-Heating Plates



Description

Flat heating plates mounted on a base, equipped with control thermostat 95° to 300°C and electrical cord.

Design Characteristics

- Machined Aluminium heating plate
- Rated voltage 230 V
- Power Output 2400 W
- Electrical cord 2 m long with plug

Inquiries and Orders should indicate / include:

- Drawing
- Voltage and wattage
- Material
- Finish, Intended use
- Surface coating, Quantity

DBK's knowledge of thermal management gives us the experience to guide and support you with your technical challenges - we can manage the complete project from concept to full production release.