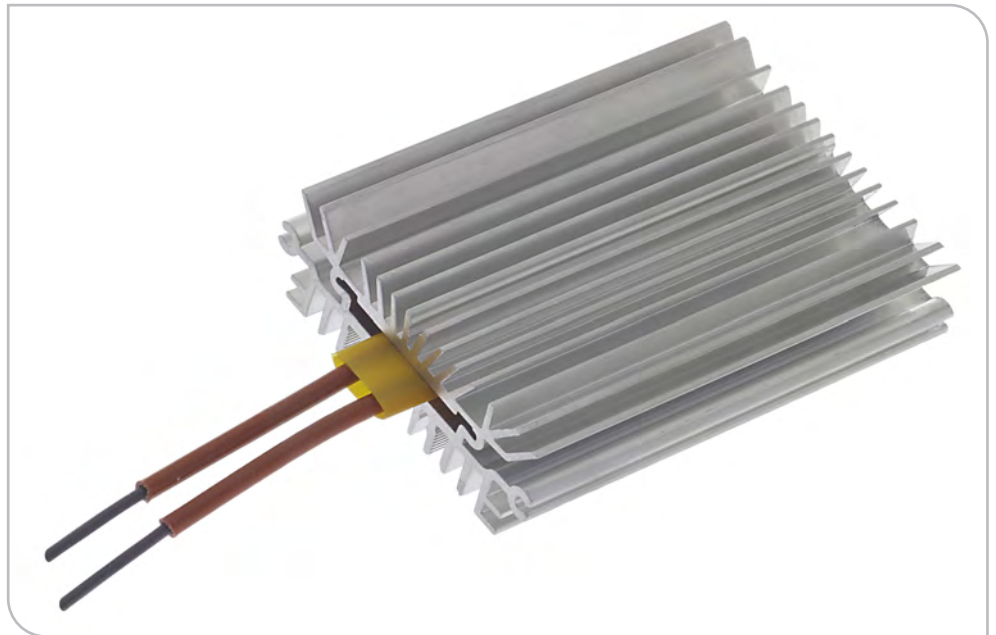


Convection Heater HP 13/28



Features

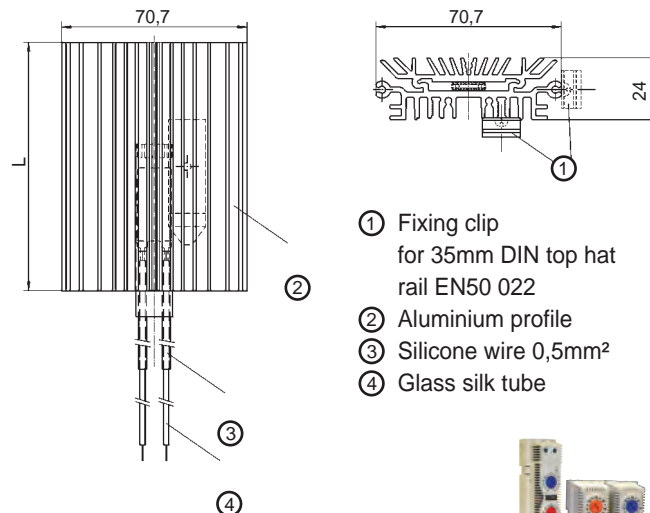
- Rugged aluminium extrusion profile
- Compact design with high power density
- Safety by temperature limitation
- Fixing clip can be mounted either at the wide side or at the narrow side. (See position 1 on the drawing below)

DBK's knowledge of thermal management gives us the experience to guide and support you with your technical challenges - we can manage the complete project from concept to full production release.

Surface Heater HP	13	28	28	28
Rated power at 10°C [W]	30	50	75	100
External profile temp. (approx.) [°C]	130	205	190	200
Voltage range	110 - 240 V, A C / D C			
Protection class	II			
Degree of protection	IP 20			
Connection wires 2 x 0,5mm ² , silicone	500mm			
Fixing	DIN Clip for 35mm rail EN50 022			
Approvals	VDE, UL, CE			
Dimensions L x W x H [mm]	65x70,7x24	65x70,7x24	125x70,7x24	175x70,7x24
Weight [kg]	0,13	0,14	0,24	0,34
Recommended fuse (time-delay) 240V	4A	6,3A	6,3A	6,3A
110V	2A	4A	4A	6,3A

Ordering Example: HP-13 30W 110-240V

Design Drawing



- ① Fixing clip for 35mm DIN top hat rail EN50 022
- ② Aluminium profile
- ③ Silicone wire 0,5mm²
- ④ Glass silk tube

Matching Accessories:



- Thermostats (FGT100, FGT200)
- Dualstat (FGDT Series)

