

Cirrus 40



Features:

- High power to size ratio
- Lightweight
- Easy to fit
- Pre-wired
- Independent fan circuit to aid climate cooling with heater off or directional heating with fan on.

DBK's knowledge of thermal management gives us the experience to guide and support you with your technical challenges - we can manage the complete project from concept to full production release.

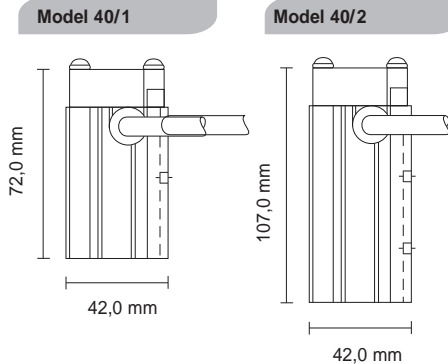
Cirrus 40	40/1				40/2				
	Nominal Power* at 10°C	50W	60W	80W	100W	125W	150W	200W	230W
Typical Max In-Rush Current (A) RMS at 12V AC	5	6,5	-	-	-	-	-	-	
Typical Max In-Rush Current (A) RMS at 24V AC	5,5	7,5	-	-	-	-	-	-	
Typical Max In-Rush Current (A) RMS at 115/230V AC	2/6	1,5/5	2/6,5	1,5/4,5	-/10	-/10	-/10	-/10	
Electrical Protection Class	I	I	I	I	I	I	I	I	
Ingress Protection	IP20	IP20	IP20	IP20	IP20	IP20	IP20	IP20	
Fan Volumetric Flow (m³/h)	13,6	13,6	13,6	13,6	12,4	12,4	12,4	12,4	
Fan Life Time - L10 at 40°C (Std.)	120.000	120.000	120.000	120.000	120.000	120.000	120.000	120.000	
Fan Operating Temperature Range (°C)	-10 to +70	-10 to +70	-10 to +70	-10 to +70	-10 to +70	-10 to +70	-10 to +70	-20 to +60	
Nominal Input Voltage Fan (V)	12 DC, 12 AC oder 24 AC/DC								
Nominal Input Voltage Heater (V)	12 AC/DC, 24 AC/DC or 115/230			115/230					
Dimensions Cross Section (mm)	42 x 42								
Length (mm)	72/77	72/77	77	77	112	112	112	112	
Weight (g)	175	175	175	175	260	260	260	275	
Finger Guards at Outlet (High Voltage Supply)	YES	YES	YES	YES	YES	YES	YES	YES	
Finger Guards at Outlet (Low Voltage Supply)	Optional	Optional	-	-	-	-	-	-	

* Other power outputs available on request

Type	Size 1 / 2	Power	Fan input 12 / 24	AC / DC	Heater Voltage	Finger Guard**		DIN Clip**	Filter**
						outlet 1/0	inlet 1/0	1 / 0	a
C 40	2	125 W	24V	AC	240 V	1	0	1	1

Order Code Example: C 40 / 2 – 125 W – 24 V – AC – 240 V – 1 – 0 – 1 – 1

** 1 = Yes, 0 = No



Options:

- Finger guard on inlet and/or outlet
- Smartcon®- Cable to allow fan operation from an AC supply of 12/24V
- Fixings - 35 mm DIN Rail clip (EN50022)



Matching Accessories:

- Thermostats (FGT100, FGT200)
- Dualstat (FGDT Series)